

Deluxe Model B®

Wall / Ceiling Projection Screen



SPECIFICATION DATA

SUGGESTED SPECIFICATIONS: _____ projection screen(s), _____(H) x _____(W), wall or ceiling mounting type. To have masking borders standard on flame retardant and mildew resistant fiberglass fabric. Fabric shall be mounted into a metal strip in a metal Camlok® roller system without tape, glue, staples or cords so that the fabric may be easily replaced yet cannot be pulled from roller. Screen to have a powder coated white 22-gauge octagonal steel case with flat back design and fitted with end caps concealing roller ends with integral bearing surface to support roller and integral brackets for wall mounting by means of slotted screw holes and ceiling mounting by means of powder coated hanger rings. Bottom of fabric

shall be mounted securely into a powder coated tubular steel slat. Ends of slat shall be protected by plastic outer caps. A metal saddle, with steel pull shall be attached to the slat. A permanently attached, self-concealing tension device shall have one end secured to the rear of the screen case and the other end extending through the slat pull, terminating in a contour-shaped, molded plastic rocker handle to lock and release the device. No cranks, levers or detachable devices shall be used. A 36" pull cord with plastic knob shall be attached to the saddle.

NOTE: Extension wall brackets required for wall mounting or mounting screen across a corner. See options below.

Video (NTSC 4:3) Format Dimensions

Viewing Area (H x W)		Nominal Diagonal		A - Overall Length of Case		B - Between Hanger Eyes		Brackets - Top to Case Bottom		Case Diameter (Width)		Approx. Ship. Wt.	
In.	Cm	In.	Cm	In.	Cm	In.	Cm	In.	Cm	In.	Cm	Lbs.	Kg
43" x 57"	109 x 145	72"	183	63½"	161	62½"	159	3½"	9	2¾"	7	18	8.2
50" x 67"	127 x 170	84"	213	73½"	186	72½"	184	3½"	9	2¾"	7	23	10.4
60" x 80"	152 x 203	100"	254	87½"	222	86½"	220	3½"	9	2¾"	7	28	12.7

HDTV (16:9) Format Dimensions

Viewing Area (H x W)		Nominal Diagonal		A - Overall Length of Case		B - Between Hanger Eyes		Brackets - Top to Case Bottom		Case Diameter (Width)		Approx. Ship. Wt.	
In.	Cm	In.	Cm	In.	Cm	In.	Cm	In.	Cm	In.	Cm	Lbs.	Kg
45" x 80"	114 x 203	92"	234	87½"	222	86½"	220	3½"	9	2¾"	7	28	12.7
52" x 92"	132 x 234	106"	269	99½"	252	98½"	251	3½"	9	2¾"	7	31	14.1

Square Format Dimensions

Sizes (H x W)		A - Overall Length of Case		B - Between Hanger Eyes		Brackets - Top to Case Bottom		Case Diameter (Width)		Approx. Ship. Wt.	
In.	Cm	In.	Cm	In.	Cm	In.	Cm	In.	Cm	Lbs.	Kg
50" x 50"	127 x 127	53½"	135	52½"	134	3½"	9	2¾"	7	18	8.2
60" x 60"	152 x 152	63½"	160	62½"	159	3½"	9	2¾"	7	21	9.5
70" x 70"	178 x 178	73½"	185	72½"	185	3½"	9	2¾"	7	24	10.9

PRODUCT NOTES

- All surfaces will be seamless.
- **Silver Lite 2.5:** Available in sizes up to 84" wide.
- All screens standard with 2½" black drop at top except 72" diagonal which has 4½" and 84" and 100" diagonal, which have 6½".
- Specifications subject to change without notice.
- Custom formats and sizes available upon request.
- **Optional Accessories:** to provide clearance: Furnish heavy extension wall brackets to mount screen 6" from wall. To provide for keystone elimination: Furnish heavy extension wall brackets to mount screen 10" or 14" from wall or furnish heavy adjustable extension wall brackets to mount screen 10", 14", 15¾", 18¼", 20" or 24" from wall. Furnish magnetic tilt locks for keystone elimination.
- **NOTE:** Brackets also are used for mounting screen across a corner.

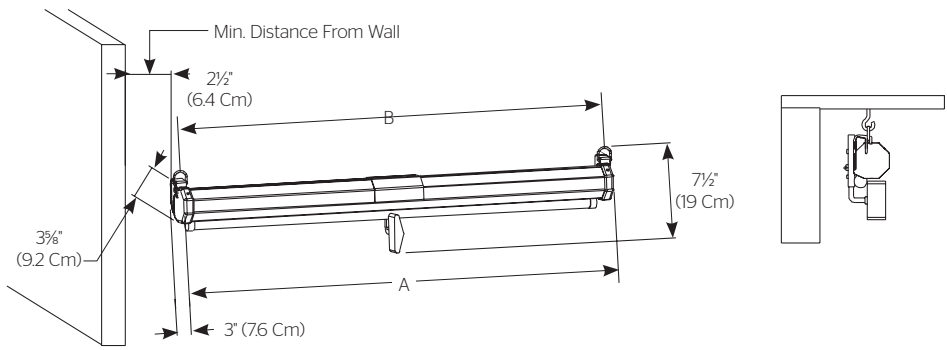
WHEN ORDERING, MARK APPROPRIATE SELECTIONS:

- Select size from charts.
- Select viewing surface (All Da-Lite surfaces are GREENGUARD GOLD Certified):

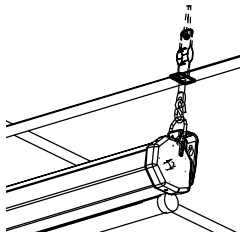
<input type="checkbox"/> Matte White	<input type="checkbox"/> Silver Lite 2.5
<input type="checkbox"/> High Contrast Matte White	<input type="checkbox"/> High Power®
<input type="checkbox"/> Video Spectra 1.5	
- Optional accessories:

<input type="checkbox"/> No. 6 Wall Bracket - extends 6" (75# per pair maximum) (black or white).	<input type="checkbox"/> T-Bar Clip - for drop ceilings (50# per pair maximum) (black or white).
<input type="checkbox"/> No. 11 Wall Bracket - extends 10" or 14" (75# per pair maximum) (black or white).	<input type="checkbox"/> Tilt Lock - keystone eliminator.
<input type="checkbox"/> No. 23 Adjustable Wall Bracket - extends 10", 14", 15¾", 18¼", 20" or 24" (75# per pair maximum) (black or white).	<input type="checkbox"/> No borders (Black masking borders standard).
	<input type="checkbox"/> Black case (white standard).

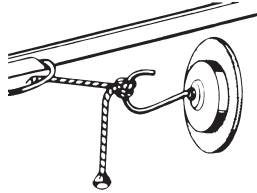
PRODUCT VIEWS



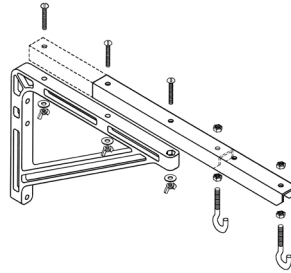
ACCESSORIES



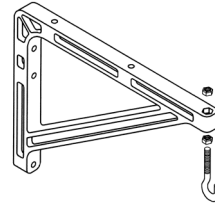
T-Bar Clip for drop ceiling.
50 lb. capacity.



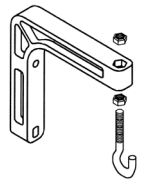
Tilt Lock for Keystone elimination. Used with extension brackets.



No. 23 Adjustable Wall Bracket
Screen can be extended 10", 14", 15 3/4", 18 3/4", 20" or 24" from wall by wing nut and bolt adjustment.



No. 11 Wall Bracket
Screen can be extended 10" or 14" from wall by changing position of bracket.



No. 6 Wall Bracket
Screen can be extended 6" from wall.

Extension Wall Brackets (75# Per Pair Maximum)



A Milestone AV Technologies Brand

3100 North Detroit Street
Warsaw, Indiana 46582
P: 574.267.8101 or 800.622.3737
F: 574.267.7804 or 877.325.4832
E: info@da-lite.com
www.da-lite.com

DL-0212 11.13
© 2013 Milestone AV Technologies LLC. Printed in U.S.A.

Project Name: _____

Architect: _____

Contractor: _____ Phone: _____

Reseller: _____ Phone: _____