

# Designer Contour® Electrol® With Built-In Infrared Remote Control



SPECIFICATION DATA

Automatic Electric Projection Screen Model

**SUGGESTED SPECIFICATIONS:** \_\_\_\_\_ projection screen(s), \_\_\_\_\_(H) x \_\_\_\_\_(W), electrically operated 120 volt (60 Hz) not more than 1.2 amp. Shall have specially designed motor mounted inside the roller, to be three wire with ground, quick reversal type, oiled for life, with automatic thermal overload cutout, integral gears, capacitor and an electric brake to prevent coasting. To have preset but adjustable limit switches to automatically stop the picture surface in the "up" and "down" positions. The roller to be of rigid metal. Roller mounting brackets to be adjustable to allow

centering or offsetting of the screen within the case. Screen case to be a two piece design made of extruded aluminum. Case to be finished in white lightly textured powder coat. Screen fabric to be flame retardant and mildew resistant fiberglass with black masking borders standard. Bottom of fabric shall be formed into a pocket holding a metal rod. Screen to include a three-position control switch, cover plate and 10' power cord with 3-prong plug. Screen to be listed by Underwriters' Laboratories.



## HDTV (16:9) Format Dimensions (2" Standard Black Drop at Top)

Viewing Area (H x W)		Nominal Diagonal		Overall Length of Case		Approx. Ship. Wt.	
In.	Cm	In.	Cm	In.	Cm	Lbs.	Kg
37½" x 67"	95 x 170	77"	196	84¼"	214	39	17.7
45" x 80"	114 x 203	92"	234	98¼"	250	44	20.0
52" x 92"	132 x 234	106"	269	110¼"	280	49	22.2

## Video (NTSC 4:3) Format Dimensions (2" Standard Black Drop at Top)

Viewing Area (H x W)		Nominal Diagonal		Overall Length of Case		Approx. Ship. Wt.	
In.	Cm	In.	Cm	In.	Cm	Lbs.	Kg
43" x 57"	109 x 145	72"	183	74¼"	189	36	16.3
50" x 67"	127 x 170	84"	213	84¼"	214	39	17.7
57" x 77"	145 x 196	96"	244	98¼"	250	44	20.0
60" x 80"	152 x 203	100"	254	98¼"	250	44	20.0
69" x 92"	175 x 234	120"	305	110¼"	280	49	22.2

## Square Format Dimensions (Screens With ^ Have 2" Standard Black Drop at Top)

Sizes (H x W)		Overall Length of Case		Approx. Ship. Wt.	
In.	Cm	In.	Cm	Lbs.	Kg
50" x 50"	127 x 127	64¼"	163	30	13.6
60" x 60"	152 x 152	74¼"	189	36	16.3
70" x 70"	178 x 178	84¼"	214	39	17.7
84" x 84"	213 x 213	98¼"	250	44	20.0
6' x 8'^	183 x 244	110¼"	280	49	22.2
8' x 8'	244 x 244	110¼"	280	50	22.7

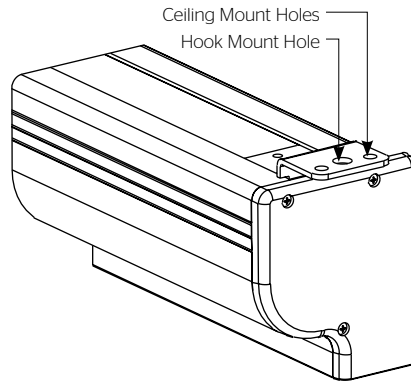
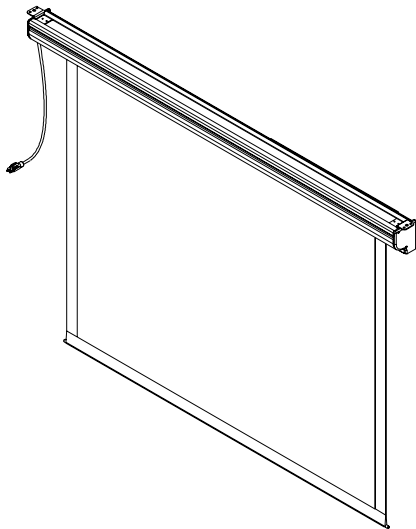
**PRODUCT NOTES**

- **Matte White, High Contrast Matte White and Video Spectra 1.5:** Seamless in all sizes.
- **High Power®:** Horizontal seam required when both dimensions exceed 6'.
- Overall case length dimensions +/- ¼".
- Detail dimensional drawings, wiring diagrams and installation instructions available upon request.
- Specifications subject to change without notice.
- Custom formats and sizes available upon request.

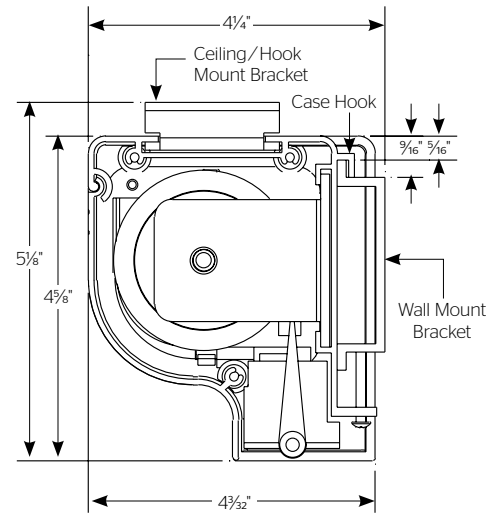
**WHEN ORDERING, MARK APPROPRIATE SELECTIONS:**

1. Select size from charts on other side.
2. Select viewing surface (All Da-Lite surfaces are GREENGUARD GOLD Certified)
  - Matte White
  - High Contrast Matte White
  - High Power®
  - Video Spectra 1.5
3. Optional accessories:
  - No borders (Black masking borders standard).
  - Key Locking Cover Plate.
  - 220 Volt (50 Hz) Motor.
  - Graphite case color.
  - Black case (white standard).
  - Veneer Case Cover (Choose from seven standard veneers).
    - Light Oak
    - Medium Oak
    - Natural Walnut
    - Heritage Walnut
    - Mahogany
    - Cherry
    - Honey Maple

**PRODUCT VIEWS**



**SUGGESTED METHODS OF INSTALLATION**



A Milestone AV Technologies Brand

3100 North Detroit Street  
 Warsaw, Indiana 46582  
 P: 574.267.8101 or 800.622.3737  
 F: 574.267.7804 or 877.325.4832  
 E: info@da-lite.com  
 www.da-lite.com

DL-0187 (Rev. 2) 01.15  
 © 2015 Milestone AV Technologies LLC. Printed in U.S.A.

Project Name: _____	
Architect: _____	Phone: _____
Contractor: _____	Phone: _____
Supervisor: _____	Phone: _____
Supplier: _____	Date: _____
Revised: _____	