



---

INSTRUCTION BOOK FOR  
Designer Contour® Manual

---



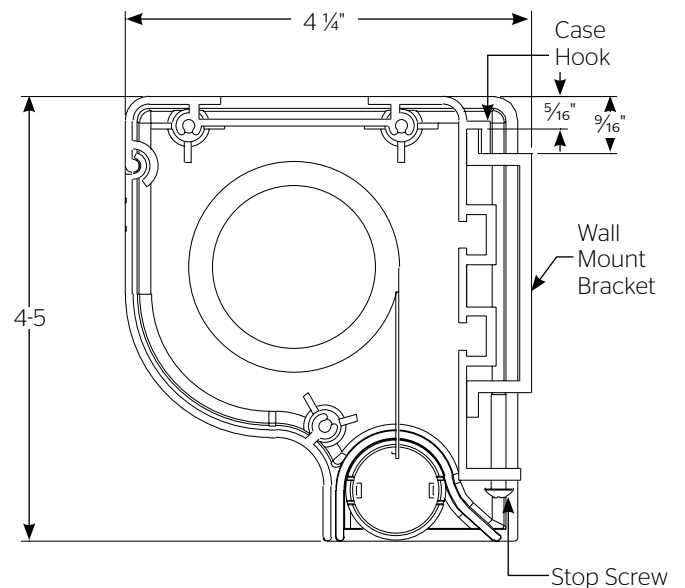
# Installation

Care in mounting and care in correct operation will mean a long and satisfactory life for your Da-Lite wall/ceiling screen. Locate the screen where the audience can best see it and where other furnishings in the room permit. Mount the screen so that bottom of picture surface, when fully extended, will be above heads of viewers.

There are three ways to install the Designer Contour® Manual: Wall Mount, Ceiling Mount, or Ceiling Hook. Procedures for each method are as follows:

## Wall Mount

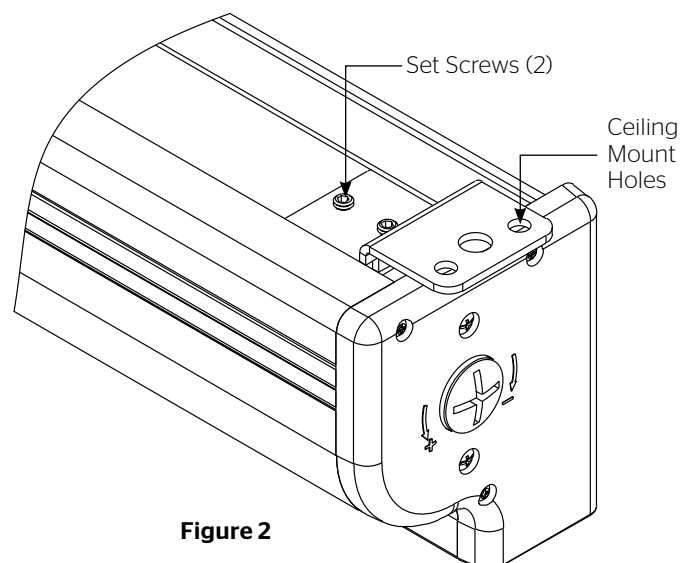
1. Secure the wall mount bracket to the wall at the desired height. Bracket should be fastened to wall studs or some reinforcement within the wall. Concrete or brick walls require special fasteners and anchors.
2. Make sure the bracket is level. See Figure 1 for reference dimensions.
3. Keep in mind you will need at least 7/8" between the ceiling and the top of the wall mount bracket to be able to position the case on the bracket.
4. Mount the screen case on the wall bracket as shown in Figure 1. Be sure the case is fully seated on the bracket. Tighten the stop screws against the wall bracket.



**Figure 1**

## Ceiling Mount

1. Do not remove the wall mount bracket, even if you are not using it for mounting. This provides structural stability to the case.
2. Be sure the ceiling has adequate reinforcement to attach the screen brackets.
3. The top of the screen case has a channel that the ceiling mount brackets slide into. Loosen the two set screws on the brackets and slide bracket so it extends over the end of the case. Lock the brackets in place by tightening two set screws. Refer to Figure 2. Mount cannot be more than 12" from end of case.
4. Hold the screen case up to the ceiling and mark the hole locations. Drill holes into the ceiling and attach screen with the appropriate fasteners for your ceiling.



**Figure 2**

# Installation

## Ceiling Hook

1. Do not remove the wall mount bracket, even if you are not using it for mounting. This provides structural stability to the case.
2. Be sure the ceiling has adequate reinforcement to attach a hook anchor.
3. The top of the screen case has a channel that the ceiling hook brackets slide into. The brackets can be attached anywhere within 12" of the end of the case. Loosen the set screws on the brackets and slide the brackets to the desired location. Lock the brackets in place by tightening two set screws. Refer to Figure 3.
4. Attach an S-hook or similar fastener to the large center hole on the bracket.

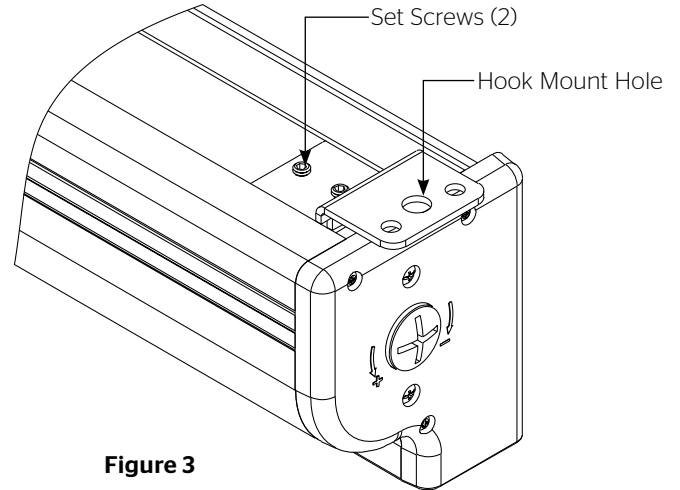


Figure 3

## Operating Instructions

### To Lower Picture Surface

Pull screen down all the way. HESITATE - then allow screen to retract VERY SLOWLY until it locks in place.

### To Raise Picture Surface

Pull down on the pull bail, then release quickly. The screen will retract gently into the case.

### To Adjust Retraction Speed

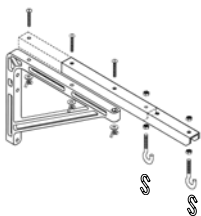
Use a large flat screwdriver to turn the adjustment knob on the right end of the screen (see Figure 2 or 3). To increase the travel speed turn counterclockwise. To decrease the travel speed turn clockwise. Adjustments should be made in half turn increments and travel speed checked before adjusting further.

**If screen locks at the bottom and will not retract, turn adjustment knob one quarter turn counterclockwise.**

## Screen Accessories

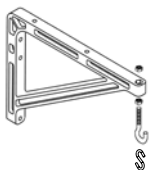
### Wall Brackets - (75# per pair maximum)

Da-Lite No. 6 and No. 11 Non-adjustable wall brackets and No. 23 adjustable extension wall brackets are ideal for keystone elimination, clearance, or corner mounting. The screen brackets should be fastened to the studding or other solid surface and not in the plaster only.



#### No. 23 Adjustable Wall Brackets

Screen can be extended 10", 14", 15¾", 18¾", 20" or 24" from wall by wing nut and bolt adjustment.



#### No. 11 Wall Brackets

Screen can be extended 10" or 14" from wall by changing position of bracket.

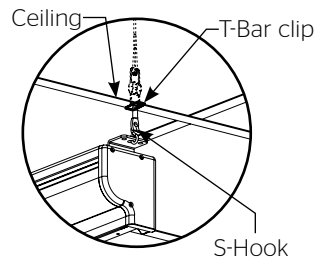


#### No. 6 Wall Brackets

Screen can be extended 6" from wall.

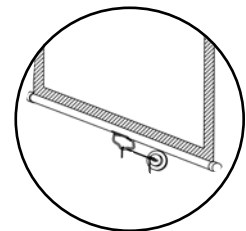
### T-Bar Clip For Dropped Ceilings

50 Lb. Max. load capacity.



### Tilt Lock For Keystone Elimination

Holds back bottom of screen in tilted position to eliminate keystone.



## **LIMITED ONE YEAR WARRANTY ON DA-LITE PRESENTATION PRODUCTS**

Milestone AV Technologies LLC warrants certain Da-Lite branded products to the original purchaser only, to be free from defects in materials and workmanship for a period of one (1) year from the date of purchase by the original purchaser; provided they are properly operated according to Da-Lite's instructions and are not damaged due to improper handling or treatment after shipment from the factory.

This warranty does not apply to equipment showing evidence of misuse, abuse or accidental damage, or which has been tampered with or repaired by a person other than authorized Da-Lite personnel.

Da-Lite's sole obligation under this warranty shall be to repair or to replace (at Da-Lite's option) the defective part of the merchandise. Returns for service should be made to your Da-Lite dealer. If it is necessary for the dealer to return the screen or part to Da-Lite, transportation expenses to and from Da-Lite are payable by the purchaser and Da-Lite is not responsible for damage in shipment. To protect yourself against damage or loss in transit, insure the product and prepay all transportation expenses.

**TO THE MAXIMUM EXTENT PERMITTED BY APPLICABLE LAW, THIS WARRANTY IS IN LIEU OF ALL OTHER WARRANTIES, EXPRESS OR IMPLIED, INCLUDING WARRANTIES AS TO FITNESS FOR USE AND MERCHANTABILITY.** Any implied warranties of fitness for use, or merchantability, that may be mandated by statute or rule of law are limited to the one (1) year warranty period. This warranty gives you specific legal rights, and you may also have other rights, which vary from state-to-state. **TO THE MAXIMUM EXTENT PERMITTED BY APPLICABLE LAW, NO LIABILITY IS ASSUMED FOR EXPENSES OR DAMAGES RESULTING FROM INTERRUPTION IN OPERATION OF EQUIPMENT, OR FOR INCIDENTAL, DIRECT, OR CONSEQUENTIAL DAMAGES OF ANY NATURE.**

In the event that there is a defect in materials or workmanship of a Da-Lite product, you may contact our Sales Partners at PO Box 137, Warsaw, IN 46581-0137, (574) 267-8101, (800) 622-3737.

**IMPORTANT: THIS WARRANTY SHALL NOT BE VALID AND DA-LITE BRANDED PRODUCTS SHALL NOT BE BOUND BY THIS WARRANTY IF THE PRODUCT IS NOT OPERATED IN ACCORDANCE WITH THE DA-LITE WRITTEN INSTRUCTIONS.**

Keep your sales receipt to prove the date of purchase and your original ownership.



A Milestone AV Technologies Brand

3100 North Detroit Street  
Warsaw, Indiana 46582  
P: 574.267.8101 or 800.622.3737  
F: 574.267.7804 or 877.325.4832  
E: info@da-lite.com  
www.da-lite.com

DL-0285 01.14

© 2013 Milestone AV Technologies LLC. Printed in U.S.A.

93015