

---

INSTRUCTION BOOK FOR  
Imager

---



## Included Hardware

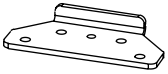
---



**Large Wall Bracket (47" Long)**  
**Installation screws not included**

Quantities vary by screen size:  
Screens 80" and smaller viewing width = 1  
Screens over 80" to 96" viewing width = 2  
Screens over 96" viewing width = 3

**Quantity Included** \_\_\_\_\_



**Corner Bracket**

Quantity = 4 (Attached to frame)

**Quantity Included** \_\_\_\_\_



**Small Wall Bracket (8" Long)**  
**Installation screws not included**

Quantity = 1. Only for screens 80" and smaller viewing width.

**Quantity Included** \_\_\_\_\_



**#10 Screw**

**Quantity Included** \_\_\_\_\_



**Snap Stud**

**Quantity Included** \_\_\_\_\_

**Use Installation Method Number** \_\_\_\_\_

## Installation

---

There are three methods of installation based on the size of the screen. Measure the width of the viewing area of your screen and refer to the appropriate method of installation below. The hanger bracket figure shows the type and quantity of bracket that is supplied based on the size of the screen.

Method 1: Screens 80" and smaller in viewing width.

Method 2: Screens over 80" up to 96" in viewing width.

Method 3: Screens over 96" in viewing width.

# Setting Up Your Screen

## Tools Required:

- Phillips Screwdriver
- Carpenter's Level
- Tape Measure

## Frame Assembly

1. Place the four frame pieces on a clean floor.
2. Slide the frame pieces together at corners. (Note: Frame assembly holes may not appear to fit properly at the corners until all fasteners have been attached. Once fasteners are attached, the frame corners will be drawn in for a proper fit.) Secure frame pieces with #10 screws provided. Do not tighten screws until all are started, then tighten. See Figure 1.
3. Tighten the two screws at each corner. Do not over-tighten the screws.
4. Insert and tighten the snap stud in the center of the corner bracket (Figure 1).

## Attach The Viewing Surface

Unroll the screen on a clean surface. Do not use newspaper. The viewing side is rolled to the inside of the roll. Place the frame over the screen surface, and while lifting the frame with one hand, snap the screen surface onto the frame with the other hand while maintaining a steady pull on the surface.

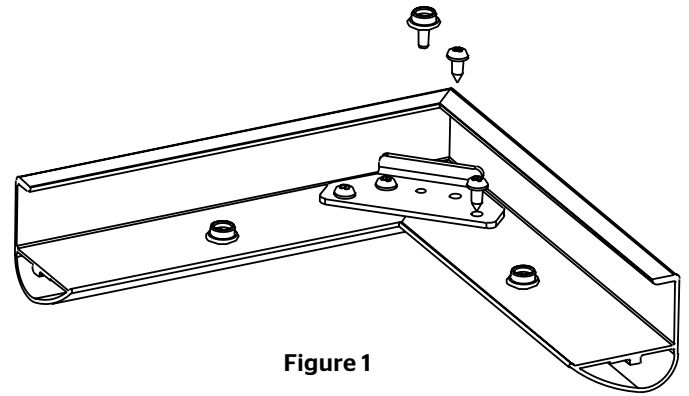


Figure 1

## Method 1 (Screens 80" And Smaller In Viewing Width)

### Method 1

1. Secure the large wall bracket to wall studs at the desired height. Make sure the bracket is level. The top of the frame will be 1/8" above the top of the wall bracket when mounted. You will need at least 5/8" clearance above the bracket to hang the screen. Figures 2, 3, and 4 show the proper orientation for the supplied wall brackets.
2. To install the small wall bracket, you must measure the overall height of the screen frame and subtract 1-3/8". Using that dimension, measure down from the top edge of the wall bracket and mark the wall for two screw holes. The holes should be centered within the frame and 6" apart. Refer to Figure 3.

3. Attach the small wall bracket to the wall. Refer to Figure 4 for proper orientation. Do not tighten the screws completely. The bracket should slide up and down easily.
4. Hang the screen on the brackets by hooking the bottom of the frame onto the small wall bracket and lift up until you can hook the top of the frame on the top large bracket. Push down on the frame to seat it on the brackets. Refer to Figure 4.

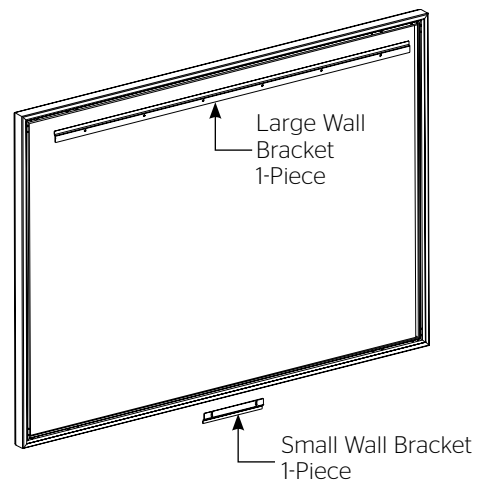
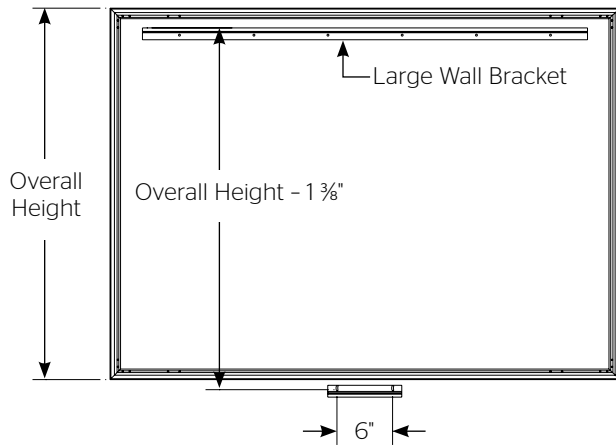
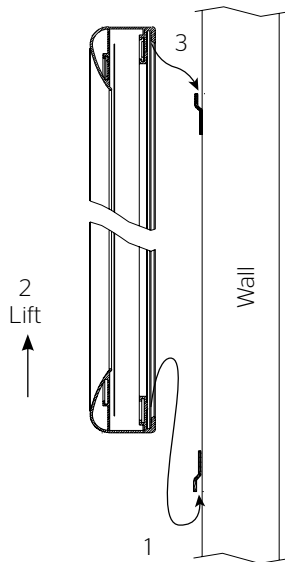


Figure 2

## Method 1 (Screens 80" And Smaller In Viewing Width)



**Figure 3**

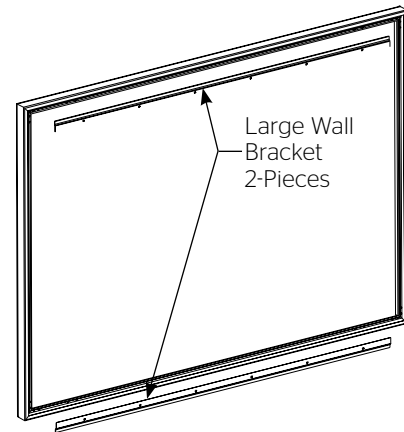


**Figure 4**

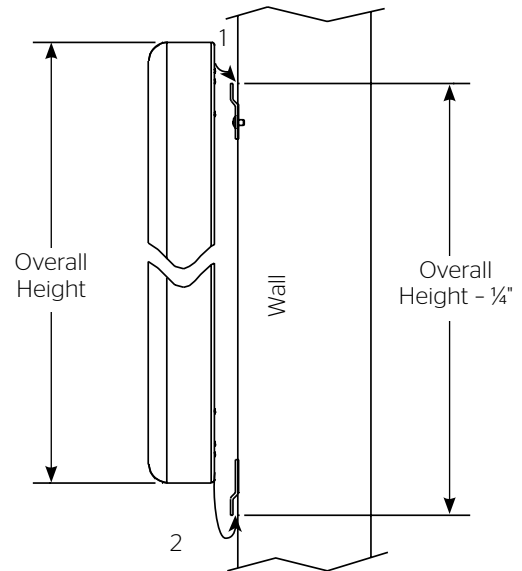
## Method 2 (Screens Over 80" Up To 96" In Viewing Width)

### Method 2

1. Secure the large wall bracket to wall studs at the desired height. Make sure the large bracket is level. The top of the frame will be  $1/8"$  above the top of the large wall bracket when mounted. You will need at least  $5/8"$  clearance above the bracket to hang the screen. Figures 5 and 6 show the proper orientation for the supplied wall brackets.



**Figure 5**



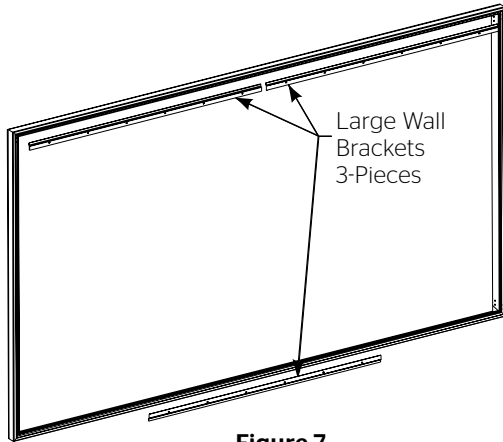
**Figure 6**

2. To install the lower wall bracket, you must measure the overall height of the screen frame and subtract  $1/4"$ . This is the dimension from the top of the upper wall bracket to the bottom of the lower wall bracket. See Figure 6.
3. Position the screen with the attached surface onto the top wall bracket as shown in Figure 6. Push down at the center of the bottom frame rail to hook onto the lower wall bracket.

## Method 3 (Screens Over 96" In Viewing Width)

---

1. Secure the large wall brackets to wall studs at the desired height. Make sure the brackets are level. The top of the frame will be 1/8" above the top of the large wall bracket when mounted. You will need at least 5/8" clearance above the bracket to hang the screen. Figures 6 and 7 show the proper orientation for the supplied wall brackets.



**Figure 7**

2. To install the lower large wall bracket, you must measure the overall height of the screen frame and subtract 1/4". This is the dimension from the top of the upper large wall bracket to the bottom of the lower large wall bracket. See Figure 6.
3. Position the screen with the attached surface onto the top large wall bracket as shown in Figure 6. Push down at the center of the bottom frame rail to hook onto the lower large wall bracket.

## Cleaning

---

**Da-Tex<sup>®</sup>, Dual Vision, Pearlescent, Cinema Vision, Da-Mat<sup>®</sup>, High Contrast Da-Mat<sup>®</sup>, Audio Vision, High Contrast Audio Vision, High Contrast Cinema Vision and High Contrast Cinema Perf** surfaces can be cleaned as follows:

Using a white clean cloth (100% cotton preferred) that is dampened with clear water, gently wipe the area in one direction. Do not use a circular motion. Using a dry 100% cotton cloth, wipe dry after each cleaning session. To clean a stubborn stain or a sticky surface, use denatured alcohol (methanol or methyl alcohol) following the same procedure as for water.





## **LIMITED ONE YEAR WARRANTY ON DA-LITE PRESENTATION PRODUCTS**

Milestone AV Technologies LLC warrants certain Da-Lite branded products to the original purchaser only, to be free from defects in materials and workmanship for a period of one (1) year from the date of purchase by the original purchaser; provided they are properly operated according to Da-Lite's instructions and are not damaged due to improper handling or treatment after shipment from the factory.

This warranty does not apply to equipment showing evidence of misuse, abuse or accidental damage, or which has been tampered with or repaired by a person other than authorized Da-Lite personnel.

Da-Lite's sole obligation under this warranty shall be to repair or to replace (at Da-Lite's option) the defective part of the merchandise. Returns for service should be made to your Da-Lite dealer. If it is necessary for the dealer to return the screen or part to Da-Lite, transportation expenses to and from Da-Lite are payable by the purchaser and Da-Lite is not responsible for damage in shipment. To protect yourself against damage or loss in transit, insure the product and prepay all transportation expenses.

**TO THE MAXIMUM EXTENT PERMITTED BY APPLICABLE LAW, THIS WARRANTY IS IN LIEU OF ALL OTHER WARRANTIES, EXPRESS OR IMPLIED, INCLUDING WARRANTIES AS TO FITNESS FOR USE AND MERCHANTABILITY.** Any implied warranties of fitness for use, or merchantability, that may be mandated by statute or rule of law are limited to the one (1) year warranty period. This warranty gives you specific legal rights, and you may also have other rights, which vary from state-to-state. **TO THE MAXIMUM EXTENT PERMITTED BY APPLICABLE LAW, NO LIABILITY IS ASSUMED FOR EXPENSES OR DAMAGES RESULTING FROM INTERRUPTION IN OPERATION OF EQUIPMENT, OR FOR INCIDENTAL, DIRECT, OR CONSEQUENTIAL DAMAGES OF ANY NATURE.**

In the event that there is a defect in materials or workmanship of a Da-Lite product, you may contact our Sales Partners at PO Box 137, Warsaw, IN 46581-0137, (574) 267-8101, (800) 622-3737.

**IMPORTANT: THIS WARRANTY SHALL NOT BE VALID AND DA-LITE BRANDED PRODUCTS SHALL NOT BE BOUND BY THIS WARRANTY IF THE PRODUCT IS NOT OPERATED IN ACCORDANCE WITH THE DA-LITE WRITTEN INSTRUCTIONS.**

Keep your sales receipt to prove the date of purchase and your original ownership.



A Milestone AV Technologies Brand

3100 North Detroit Street  
Warsaw, Indiana 46582  
P: 574.267.8101 or 800.622.3737  
F: 574.267.7804 or 877.325.4832  
E: info@da-lite.com  
www.da-lite.com

DL-0282 01.14

© 2013 Milestone AV Technologies LLC. Printed in U.S.A.

86478