

Large Advantage® Deluxe Electrol®

Automatic Electric Projection Screen Model



SPECIFICATION DATA

SUGGESTED SPECIFICATIONS: _____ projection screen(s), _____(H) x _____(W). The Advantage® Deluxe Screen shall have two motors, one to operate door and one to operate screen. Door motor electrically operated 120 volt (60 Hz) not more than 1.2 amp, mounted inside the roller, to be three wire with ground, quick reversal type, oiled for life, with automatic thermal overload cutout, integral gears, capacitor and an electric brake to prevent coasting. To have pre-set but adjustable limit switches to automatically stop fabric door in the open position. The roller to be of 16" diameter aluminum. Screen motor is electrically operated 120 volt (60 Hz) not more than 2.4 amp, mounted inside the roller, to be three wire with ground quick reversal type, oiled for life, with automatic thermal overload cutout, integral gears, capacitor and an electric brake to prevent coasting. To have pre-set but adjustable limit switches to automatically stop picture surface in the "up" and "down" positions. Rigid metal roller, to be at least 5¾" in diameter (on screens 14' to 18' wide) or 7" in diameter (on screens where either height or width equal or exceed 20'). Screen fabric to be flame retardant and mildew resistant fiberglass with black masking borders standard. Bottom of fabric shall

be formed into a pocket holding a metal rod with plastic caps. Case shall be a white powder coated aluminum extrusion. Bottom of case to be self-trimming with a built-in flange around the bottom of the case. A section of the bottom of the case shall be a retractable aluminum door that opens and closes automatically with the lowering and raising of the picture surface. The balance of the bottom of the case shall be a second aluminum door with manual opening to provide access. Junction box shall be internally integrated into the housing making it possible to install the housing and wire to the building's electrical system during construction. The junction box shall contain a quick connect connector that is mounted in the housing for easy plug-in connection to the motorized fabric and roller assembly. The motorized fabric and roller assembly to be installed in the case at the factory or at a later time at the job site. To be complete with integrated low voltage control unit and three position control switch with cover plate. Suitable for use in environmental air space in accordance with section 300-22 (c) of the National Electric Code, and sections 2-128, 12-010 (3) and 12-100 of the Canadian Electrical Code, part 1, CSA C22.1. Screen to be listed by Underwriters' Laboratories.



HDTV (16:9) Format Dimensions (2" Standard Black Drop at Top)

Viewing Area (H x W)		Nominal Diagonal		Overall Length of Case*		Approx. Ship. Wt.	
In.	Cm	In.	Cm	In.	Cm	Lbs.	Kg
106" x 188"	269 x 478	216"	549	207½"	527	651	295.3
119" x 212"	302 x 538	243"	617	231½"	588	724	328.4
133" x 236"	338 x 599	271"	688	255½"	649	830	376.5

Wide (16:10) Format Dimensions

Viewing Area (H x W)		Nominal Diagonal		Overall Length of Case*		Approx. Ship. Wt.	
In.	Cm	In.	Cm	In.	Cm	Lbs.	Kg
110" x 176"	279 x 447	208"	528	195½"	497	631	286.2
117½" x 188"	283 x 478	222"	564	207½"	527	662	300.3

Video (NTSC 4:3) Format Dimensions (2" Standard Black Drop at Top)

Viewing Area (H x W)		Nominal Diagonal		Overall Length of Case*		Approx. Ship. Wt.	
In.	Cm	In.	Cm	In.	Cm	Lbs.	Kg
123" x 164"	312 x 417	210"	533	183½"	466	587	266.3
141" x 188"	358 x 478	240"	610	207½"	527	662	300.3
159" x 212"	404 x 538	265"	673	231½"	588	738	334.8
177" x 236"	450 x 599	295"	749	255½"	649	847	384.2

Square Format Dimensions (Screens With ^ Have 2" Standard Black Drop at Top)

Sizes (H x W)		Overall Length of Case*		Approx. Ship. Wt.	
In.	Cm	In.	Cm	Lbs.	Kg
10'6" x 14'^^	320 x 427	183½"	466	588	266.7
14' x 14'	427 x 427	183½"	466	599	271.7
12' x 16'^^	366 x 488	207½"	527	663	300.7
16' x 16'	488 x 488	207½"	527	671	304.4
13'6" x 18'^^	411 x 549	231½"	588	738	334.8
18' x 18'	549 x 549	231½"	588	757	343.4
15' x 20'^^	457 x 610	255½"	649	847	384.2
20' x 20'	610 x 610	255½"	649	871	395.1
16'6" x 22'^^	503 x 671	279½"	710	929	421.4
22' x 22'	671 x 671	279½"	710	958	434.5
18' x 24'^^	549 x 732	303½"	771	1012	459.0

*Case length does not include flange

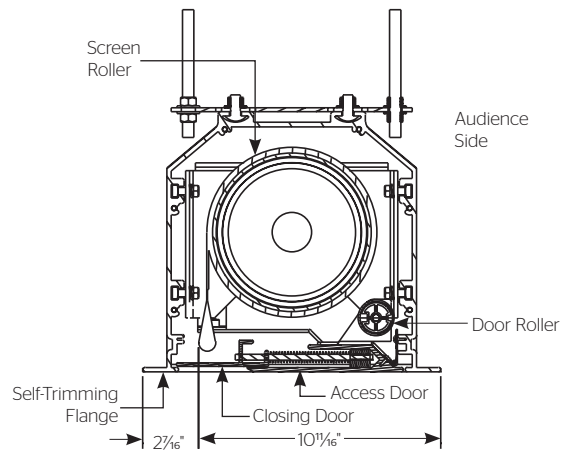
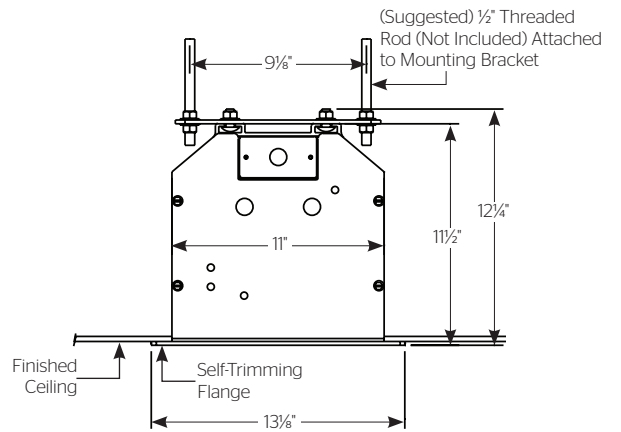
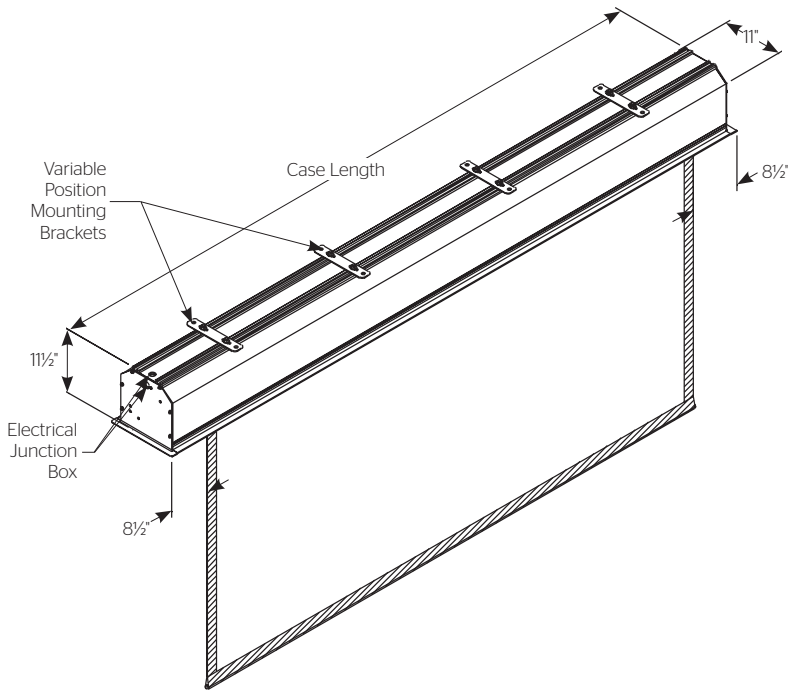
PRODUCT NOTES

- **Matte White:** Horizontal seam required when both dimensions exceed 16'.
- Overall case length dimensions +/- 1/4" (6mm).
- Detail dimensional drawings, wiring diagrams and installation instructions available upon request.
- Specifications subject to change without notice.
- Custom formats and sizes available upon request.

WHEN ORDERING, MARK APPROPRIATE SELECTIONS

1. Select size from charts on the other side.
2. Select viewing surface (All Da-Lite surfaces are GREENGUARD GOLD Certified):
 - Matte White
3. Optional accessories:
 - Extra Drop available to lower picture area more than normal. Specify total drop at top ____ (black or white) or at bottom ____ (black or white). 22' maximum total surface height including picture area except for 24' wide, where maximum drop is 18'.
 - No borders (Black masking borders standard).
 - Wireless Remote Control for LVC.
 - Radio Frequency Remote
 - Radio Frequency Range Extender available
 - Infrared Remote
 - Key Locking Cover Plate for 120 V Switch or LVC.
 - 220/240 Volt (50 Hz) Motor.

PRODUCT VIEWS



A Milestone AV Technologies Brand

3100 North Detroit Street
 Warsaw, Indiana 46582
 P: 574.267.8101 or 800.622.3737
 F: 574.267.7804 or 877.325.4832
 E: info@da-lite.com
 www.da-lite.com

DL-0189 (Rev. 1) 08.14

© 2014 Milestone AV Technologies LLC. Printed in U.S.A.

Project Name: _____	
Architect: _____	Phone: _____
Contractor: _____	Phone: _____
Supervisor: _____	Phone: _____
Supplier: _____	Date: _____
Revised: _____	