

Parallax 0.8

Wall-Mounted Projection Screen



SPECIFICATION DATA

SUGGESTED SPECIFICATIONS: _____ projection screen(s),
 _____(H) x _____(W), Ambient light rejecting screen surface
 standard with reinforced tabbed holes on all four sides that attaches to frame
 with elastic rings. Frame will conceal holes and rings. Screen frame will be 3"
 wide x 1½" deep with a tapered front edge to reduce shadows on the screen

surface. Frame to be made of aluminum and finished with black Pro-Trim®
 fabric covering to enhance appearance and absorb light surrounding the
 viewing area. Frame will be slip-jointed at corners and joints. Standard wall-
 mounting brackets will be included.

HDTV (16:9) Format Dimensions

Viewing Area (H x W)		Nominal Diagonal		Overall Dimensions		Actual Weight		Approx. Ship. Wt.	
In.	Cm	In.	Cm	In.	Cm	Lbs.	Kg	Lbs.	Kg
37½" x 67"	95 x 170	77"	196	43½" x 73"	110 x 185	25	11.3	29	13.2
40½" x 72"	103 x 183	82"	208	46½" x 78"	118 x 198	26	11.8	30	13.6
45" x 80"	114 x 203	92"	234	51" x 86"	130 x 218	28	12.7	34	15.4
49" x 87"	124 x 221	100"	254	55" x 93"	140 x 236	30	13.6	36	17.7
52" x 92"	132 x 234	106"	269	58" x 98"	147 x 249	31	14.1	39	17.7
54" x 96"	137 x 244	110"	279	60" x 102"	152 x 259	32	14.5	40	18.1
59" x 104½"	150 x 265	120"	305	65" x 110½"	165 x 281	34	15.4	42	19

Wide (16:10) Format Dimensions

Viewing Area (H x W)		Nominal Diagonal		Overall Dimensions		Actual Weight		Approx. Ship. Wt.	
In.	Cm	In.	Cm	In.	Cm	Lbs.	Kg	Lbs.	Kg
44½" x 71½"	113 x 182	84"	213	50½" x 77½"	128 x 197	26	11.8	32	14.5
50" x 80"	127 x 203	94"	239	56" x 86"	142 x 218	28	12.7	34	15.4
57½" x 92"	146 x 234	109"	277	63½" x 98"	161 x 249	31	14.1	39	17.7

Cinemascope (2.35:1) Format Dimensions

Viewing Area (H x W)		Nominal Diagonal		Overall Dimensions		Actual Weight		Approx. Ship. Wt.	
In.	Cm	In.	Cm	In.	Cm	Lbs.	Kg	Lbs.	Kg
37½" x 88"	95 x 224	96"	244	43½" x 94"	110 x 239	28	12.7	36	16.3
40½" x 95"	103 x 241	103"	262	46½" x 101"	118 x 257	30	13.6	38	17.2
45" x 106"	114 x 269	115"	292	51" x 112"	130 x 284	32	14.5	40	18.1
49" x 115"	124 x 292	125"	318	55" x 121"	140 x 307	34	15.4	42	19.1
52" x 122"	132 x 310	133"	338	58" x 128"	147 x 325	35	15.9	43	19.5
54" x 126"	137 x 320	138"	351	60" x 132"	152 x 335	36	16.3	46	20.9
58" x 136½"	147 x 347	148"	376	64" x 142½"	163 x 362	39	17.7	48	21.8

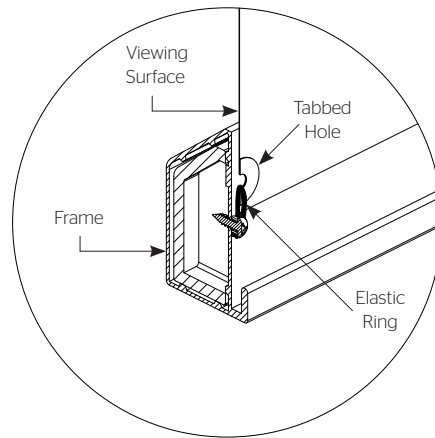
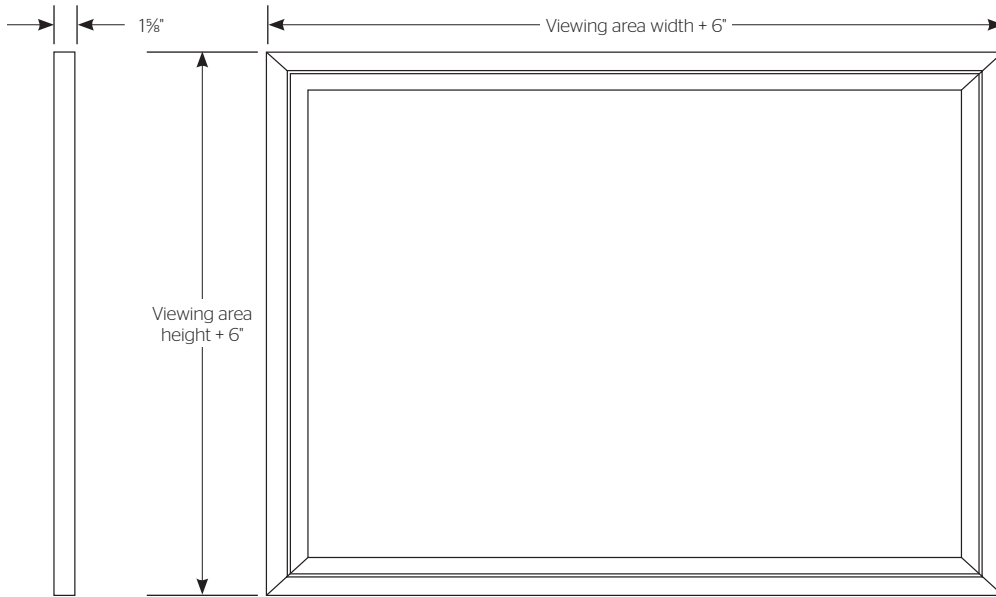
PRODUCT NOTES

- Overall dimensions +/- 1/4".
- Custom formats and sizes available upon request. Custom sizes limited to 59" in viewable height.
- Specifications subject to change without notice.

WHEN ORDERING, MARK APPROPRIATE SELECTIONS

1. Select Size from Charts.
2. Select Optional Accessories:
 - T-Legs (must be ordered at the same time as screen).

PRODUCT VIEW



Viewing Surface & Frame Detail



A Milestone AV Technologies Brand

3100 North Detroit Street
 Warsaw, Indiana 46582
 P: 574.267.8101 or 800.622.3737
 F: 574.267.7804 or 877.325.4832
 E: info@da-lite.com
 www.da-lite.com

DL-0607 4.15
 © 2015 Milestone AV Technologies LLC. Printed in U.S.A.

Project Name: _____

Architect: _____

Contractor: _____ Phone: _____

Reseller: _____ Phone: _____