

Slimline® Electrol®

Automatic Electric Projection Screen Model



SPECIFICATION DATA

SUGGESTED SPECIFICATIONS: _____ projection screen(s), _____ (H) x _____ (W), electrically operated 120 volt (60 HZ) not more than 1.2 amp. Shall have specially designed motor mounted inside the roller to be three wire with ground quick reversal type, oiled for life, with automatic thermal overload cut-out, integral gears, capacitor and an electric brake to prevent coasting. To have preset but adjustable limit switches to automatically stop picture surface in the "up" and "down" positions. The roller to be of rigid metal. Screen fabric to be flame retardant and mildew resistant fiberglass with black

masking borders. Bottom of fabric shall be formed into a pocket holding a metal rod. Ends of the slat shall be protected by plastic outer caps. Case to be powder coated white 22 gauge steel, 2 3/4" in width, octagon in shape with flat back design. Case with sturdy brackets for wall or ceiling installation. To be complete with control cable with operating switch built into line and power cable (2 wire plus ground) from switch to 3-prong plug. Screen to be listed by Underwriters' Laboratories.



Video (NTSC 4:3) Format Dimensions (2" Standard Black Drop At Top)

| Viewing Area (H x W) | | Nominal Diagonal | | A - Overall Length of Case | | B - Between Hanger Eyes | | Approx. Ship. Wt. | |
|----------------------|-----------|------------------|-----|----------------------------|-----|-------------------------|-----|-------------------|------|
| In. | Cm | In. | Cm | In. | Cm | In. | Cm | Lbs. | Kg |
| 43" x 57" | 109 x 145 | 72" | 183 | 65 1/4" | 166 | 64 1/2" | 164 | 22 | 10.0 |
| 50" x 67" | 127 x 170 | 84" | 213 | 75 1/4" | 191 | 74 1/2" | 189 | 24 | 10.9 |
| 60" x 80" | 152 x 203 | 100" | 254 | 89 1/4" | 227 | 88 1/2" | 225 | 26 | 11.8 |

HDTV (16:9) Format Dimensions (2" Standard Black Drop At Top)

| Viewing Area (H x W) | | Nominal Diagonal | | A - Overall Length of Case | | B - Between Hanger Eyes | | Approx. Ship. Wt. | |
|----------------------|-----------|------------------|-----|----------------------------|-----|-------------------------|-----|-------------------|------|
| In. | Cm | In. | Cm | In. | Cm | In. | Cm | Lbs. | Kg |
| 45" x 80" | 114 x 203 | 92" | 234 | 89 1/4" | 227 | 88 1/2" | 225 | 26 | 11.8 |

Square Format Dimensions

| Sizes (H x W) | | A - Overall Length of Case | | B - Between Hanger Eyes | | Approx. Ship. Wt. | |
|---------------|-----------|----------------------------|-----|-------------------------|-----|-------------------|------|
| In. | Cm | In. | Cm | In. | Cm | Lbs. | Kg |
| 60" x 60" | 152 x 152 | 65 1/4" | 166 | 64 1/2" | 164 | 22 | 10.0 |
| 70" x 70" | 178 x 178 | 75 1/4" | 191 | 74 1/2" | 189 | 24 | 10.9 |

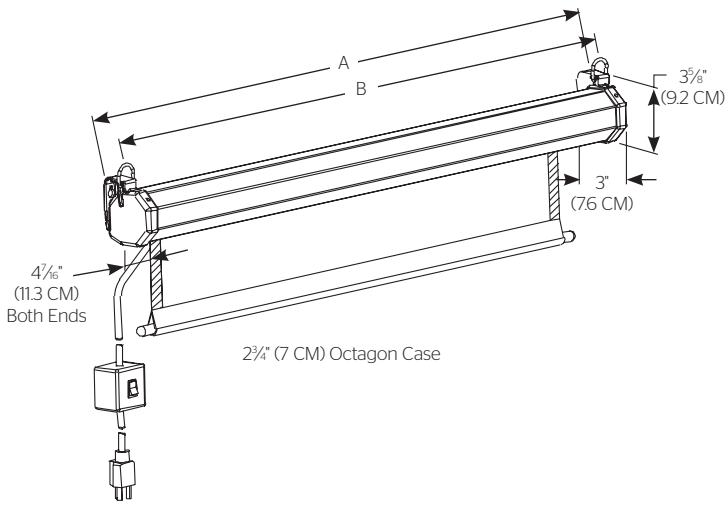
PRODUCT NOTES

- All viewing surfaces will be seamless.
- Specifications are subject to change without notice.

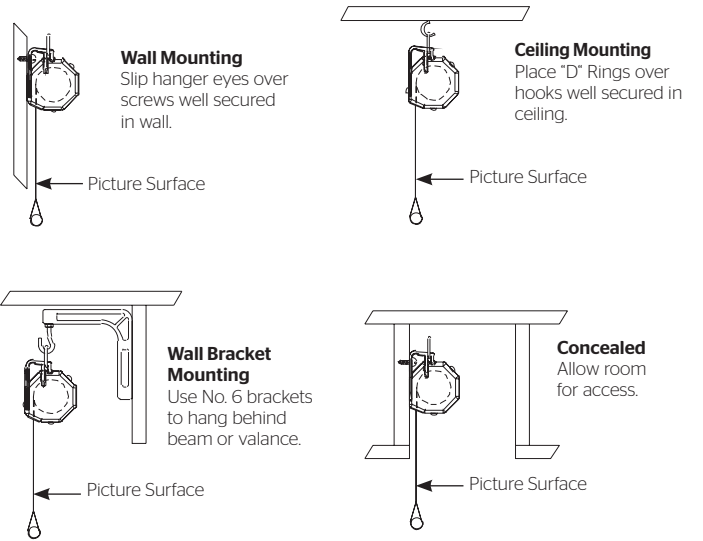
WHEN ORDERING, MARK APPROPRIATE SELECTIONS:

- Select size from charts on the other side.
- Select viewing surface (All Da-Lite surfaces are GREENGUARD GOLD Certified.):
 - Matte White
 - High Power®
- Optional accessories:
 - No. 6 Non-adjustable Extension Brackets (75# per pair maximum) (black or white).
 - No. 11 Non-adjustable Extension Brackets (75# per pair maximum) (black or white).
 - 220V (50 HZ Motor).
 - No Borders (Black Masking Borders standard).
 - Black case (white standard).

PRODUCT VIEWS



SUGGESTED METHOD OF INSTALLATION



A Milestone AV Technologies Brand

3100 North Detroit Street
 Warsaw, Indiana 46582
 P: 574.267.8101 or 800.622.3737
 F: 574.267.7804 or 877.325.4832
 E: info@da-lite.com
 www.da-lite.com

DL-0238 12.13
 © 2013 Milestone AV Technologies LLC. Printed in U.S.A.

| | |
|---------------|--------------------|
| Project Name: | _____ |
| Architect: | _____ |
| Contractor: | _____ Phone: _____ |
| Reseller: | _____ Phone: _____ |